



☆☆☆
STANDARD



IEC Jack

This SCHWAIGER® IEC jack is used to connect a coaxial cable to an antenna socket. The jack was designed with several changes of cable in mind. The inner conductors are

screwable. This jack allows for high-resolution reception quality.



ARTICLE INFORMATION

Article Nr
EAN

KST21 532
4004005505191



Last updated: 23.03.2016

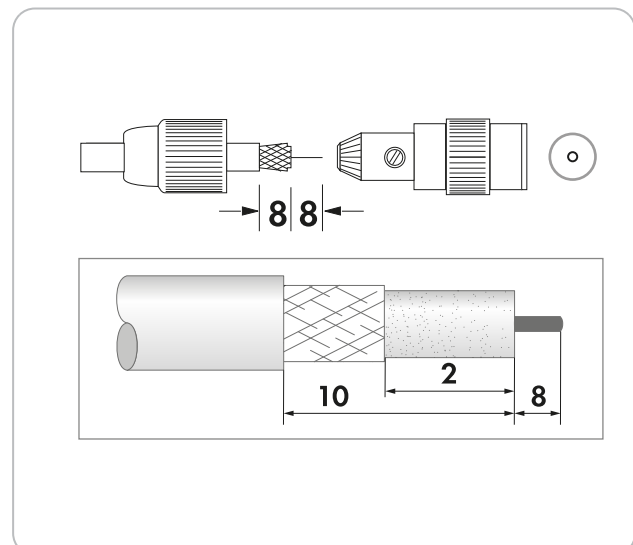


FEATURES (KST21 532)

- for connecting TVs and antenna amplifiers to an antenna socket
- screwable inner conductor
- very easy installation

TECHNICAL DATA

quality	* Standard
Connections	1x IEC jack
Diameter	0.5 - 1.1 mm (inner conductor) 4 - 7.5 mm (cable)
Content (package)	1
Material of product	metal plastic
Colour	white
packaging	sliding blister SBL1S



Last updated: 23.03.2016