

★★★
ULTIMATE

HQ Cable Connector

This SCHWAIGER® connector is used as connecting piece or for the extension of coaxial cables.

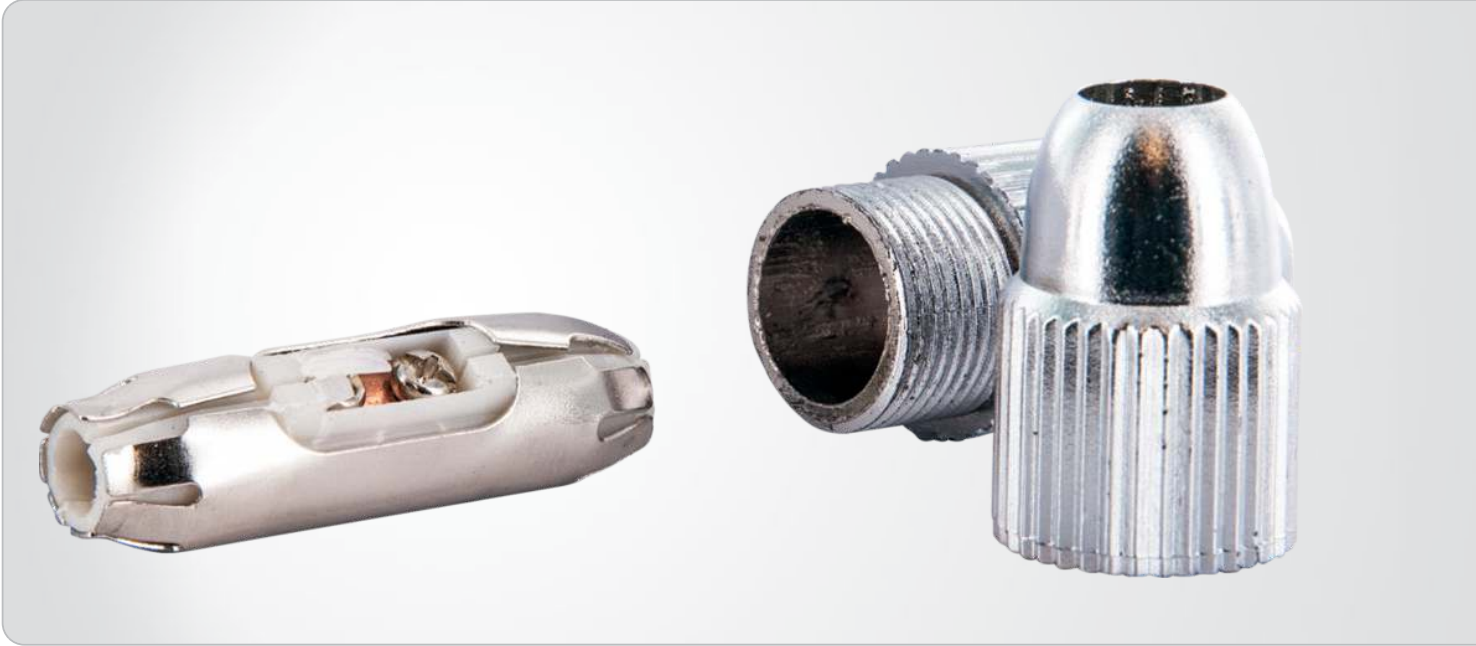


ARTICLE INFORMATION

Article Nr
EANKVB29 531
4004005503920

4 004005 503920

Last updated: 23.03.2016

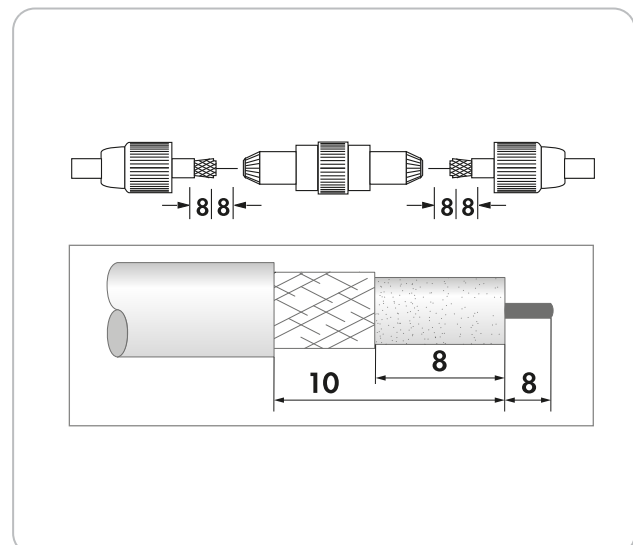


FEATURES (KVB29 531)

- screwable inner conductor
- high quality due to metallisation

TECHNICAL DATA

quality	*** Ultimate
Diameter	0.5 - 1.1 mm (inner conductor) 4 - 7.5 mm (cable)
Content (package)	1
Material of product	metal plastic
Colour	silver
packaging	sliding blister SBL1S



Last updated: 23.03.2016