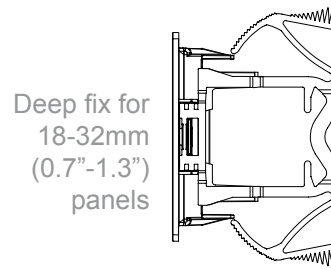
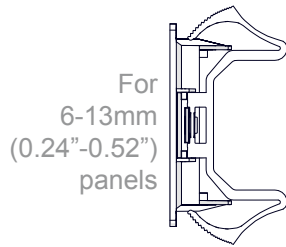
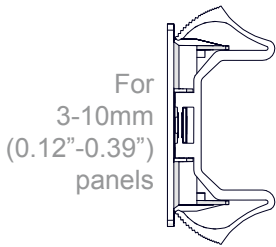
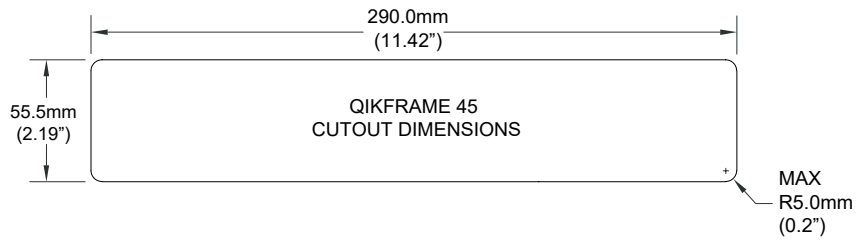
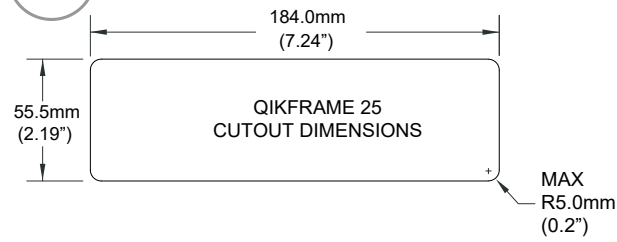


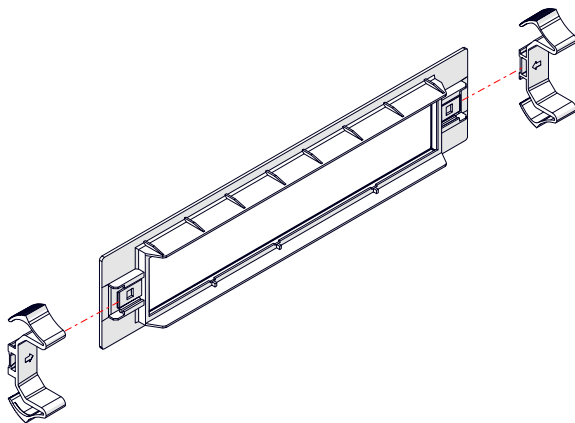
QIKFRAME installation instructions

1 QikFrame Cutout Dimensions

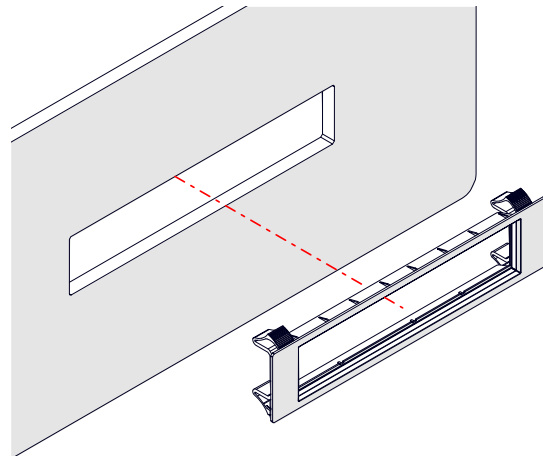


The below instructions can be followed for both QikFrame 25 & 45. Configurations may vary.

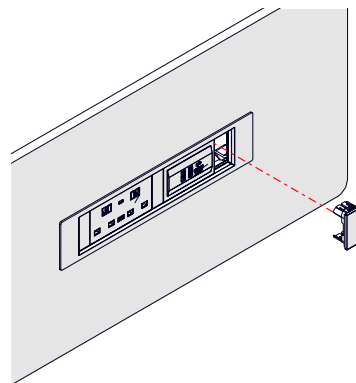
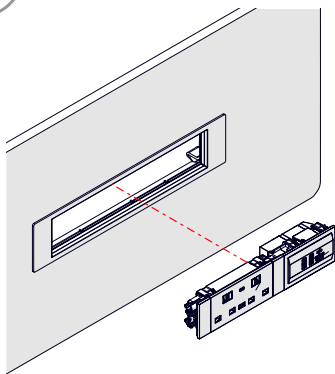
2 Attach clips to QikFrame



3 Place QikFrame into cutout

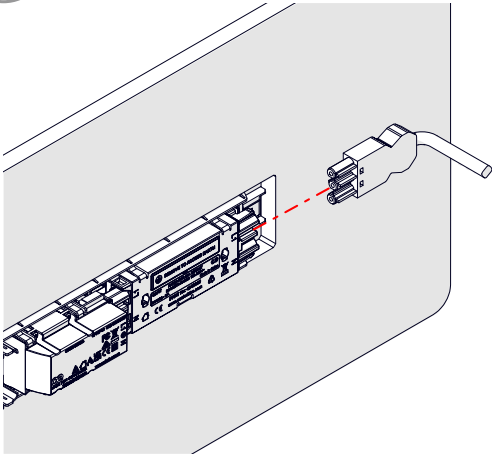


4



*NOTE: If using QF Power Modules please see INSTR1213 - Fitting 2 x QikFit Modules Together.pdf or view the video here: [QikFit Power Modules](#)

5 Attach power



Ensure approx 0.5" clearance to avoid rebating into the surface to allow for GST18, otherwise a right angled GST18 is advised

6

