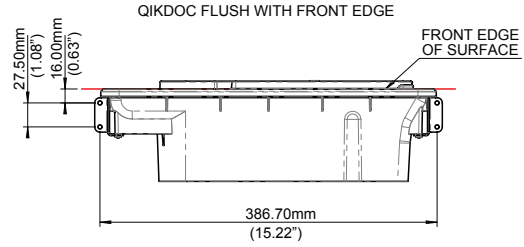
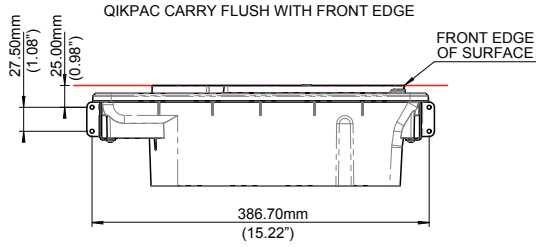
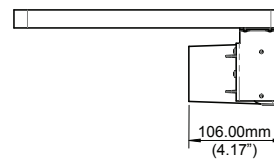
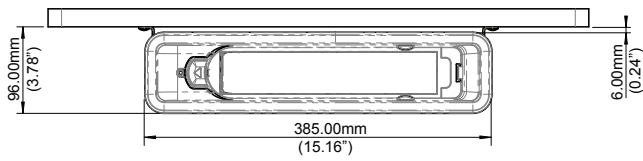


Horizontal Fitting

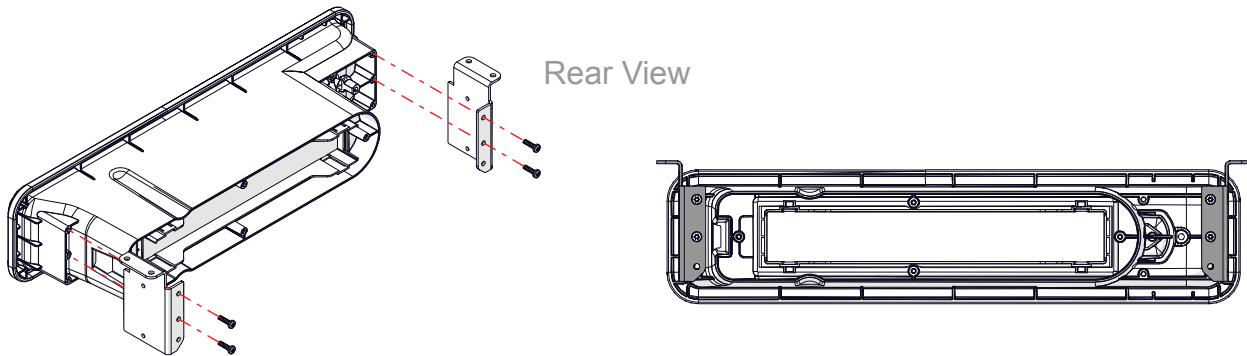
1 Screw locations



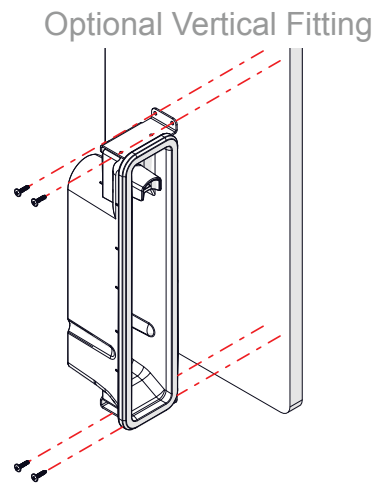
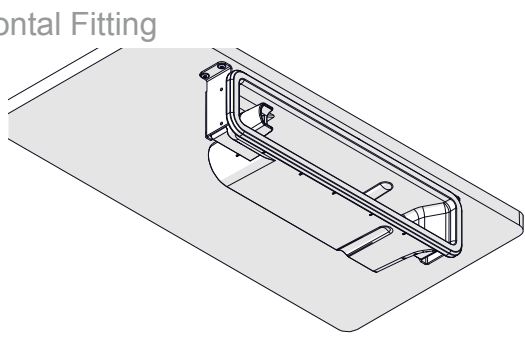
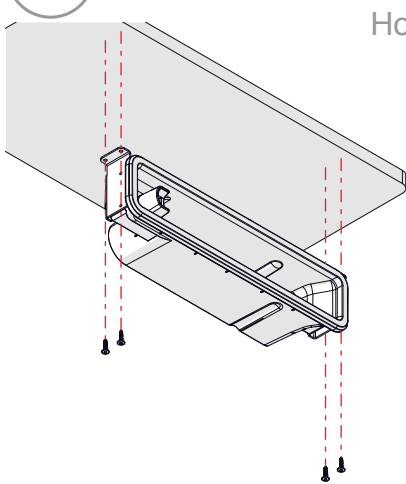
Required clearance



2 Fit brackets to QIKDOC using screws provided (a T10 Torx bit is required)



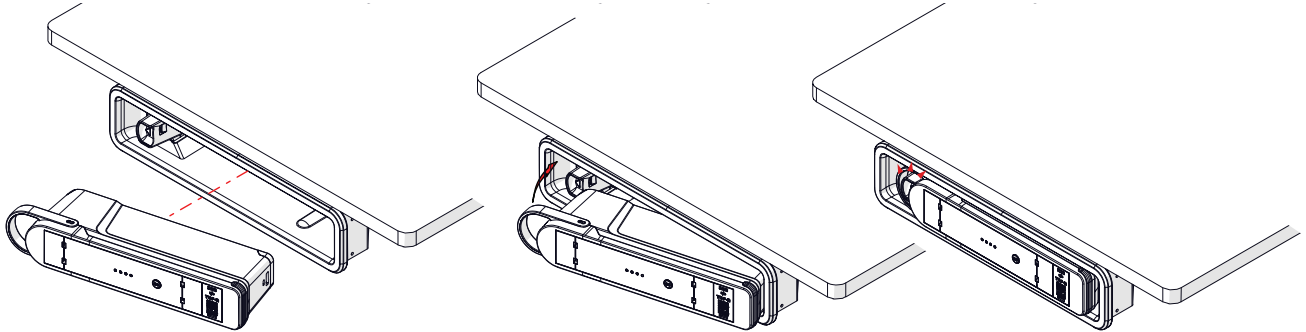
3 Screw QIKDOC into place



Use a No. 8 screw, length and type suitable for surface

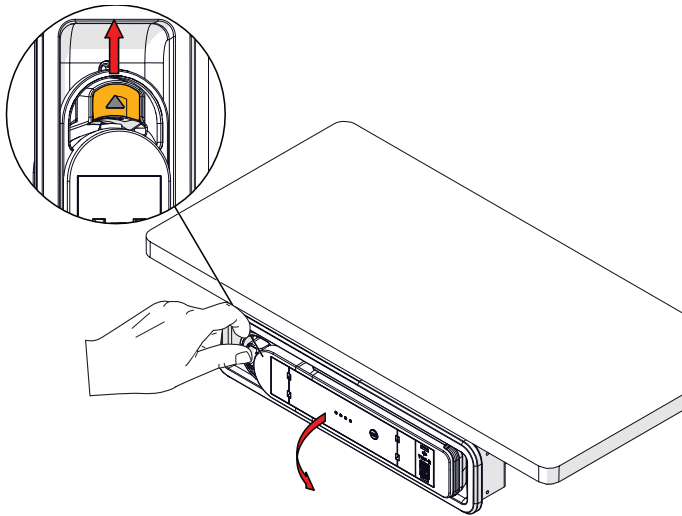
QIKDOC Locate Screw Fix instructions

- 4 Align QIKPAC CARRY with QIKDOC, slide the heel side of the QIKPAC CARRY into QIKDOC first and rotate round until click is heard



Removing QIKPAC CARRY from QIKDOC (Horizontal)

- 5 Pull thumb release (highlighted orange) to release QIKPAC CARRY



- 6 Lift QIKPAC CARRY from QIKDOC

