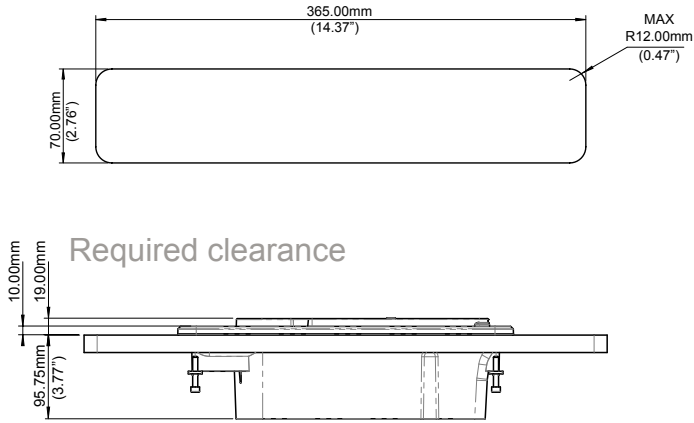
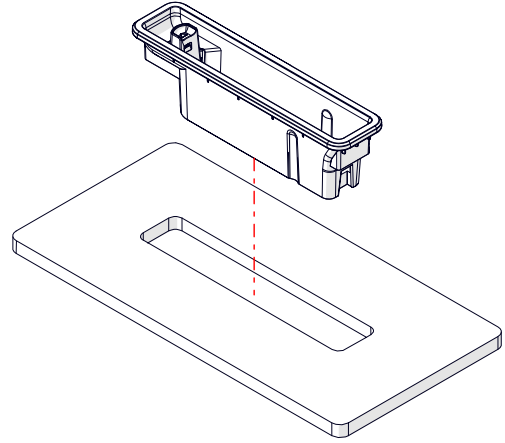


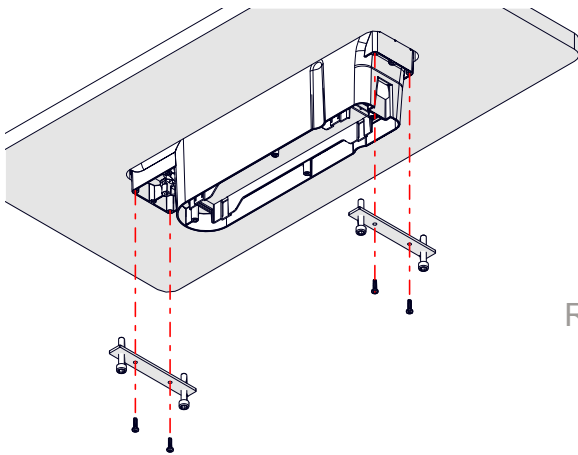
1 Cutout Size



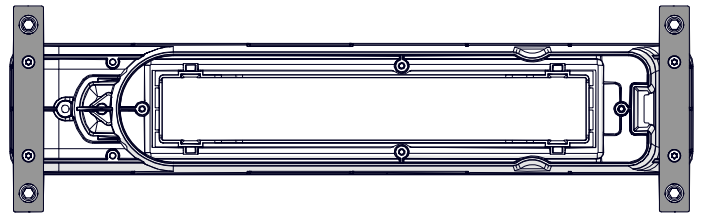
2 Fit QIKDOC into surface



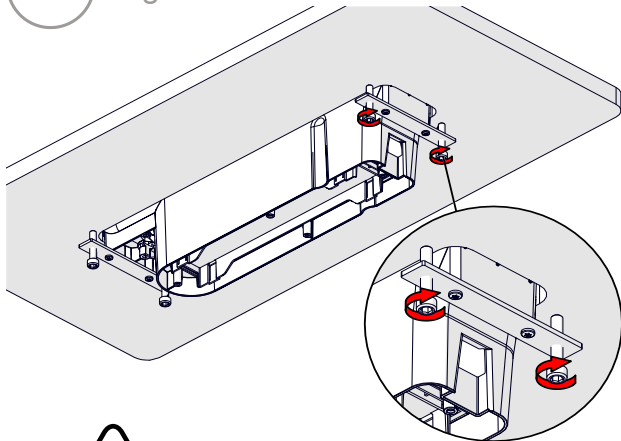
3 Align clamp brackets with QIKDOC and screw into place using screws provided (a T10 Torx bit is required)



Rear View



4 Tighten bolts

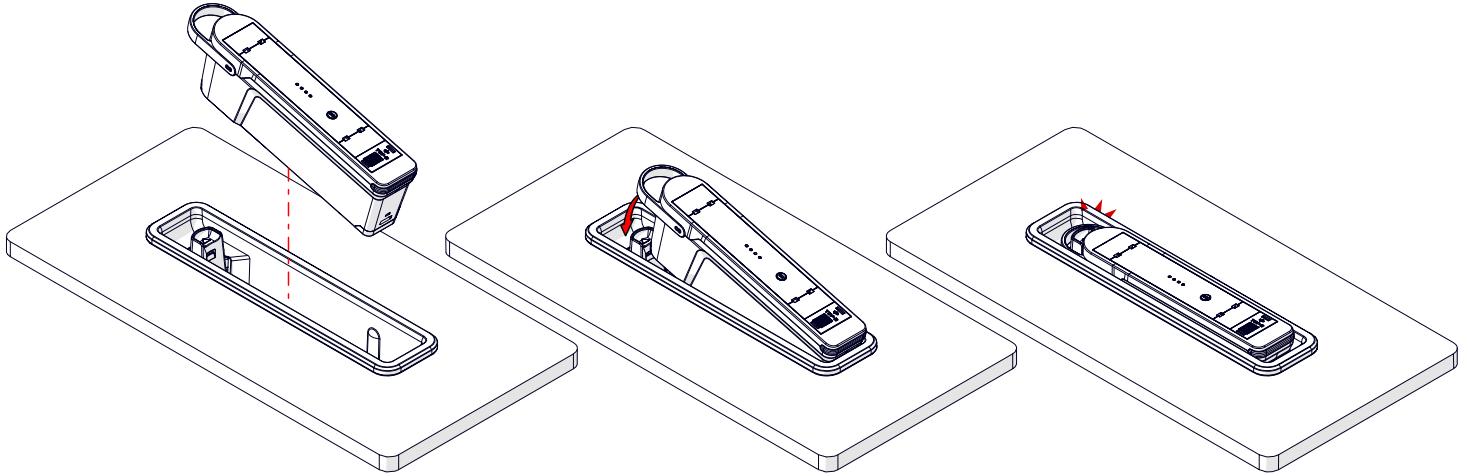


Rear View



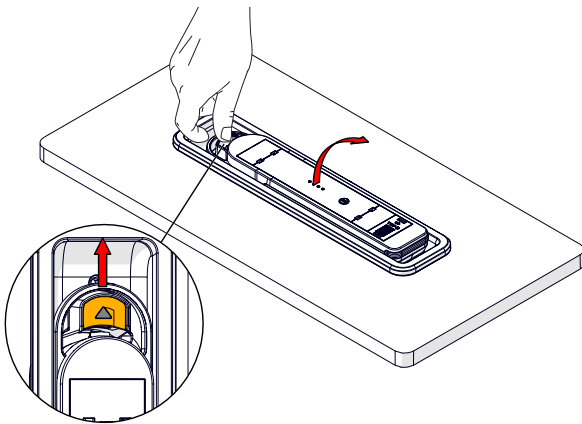
CAUTION Do not overtighten

- 5 Align QIKPAC CARRY with QIKDOC, slide the heel side of the QIKPAC CARRY into QIKDOC first and rotate down until click is heard



Removing QIKPAC CARRY from QIKDOC

- 6 Pull thumb release (highlighted orange) to release QIKPAC CARRY



- 7 Lift QIKPAC CARRY from QIKDOC

