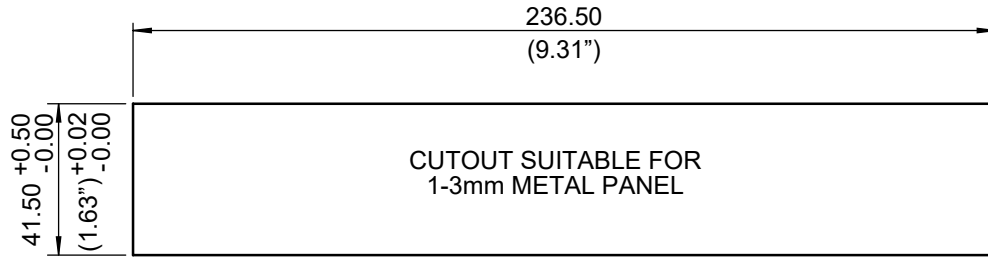
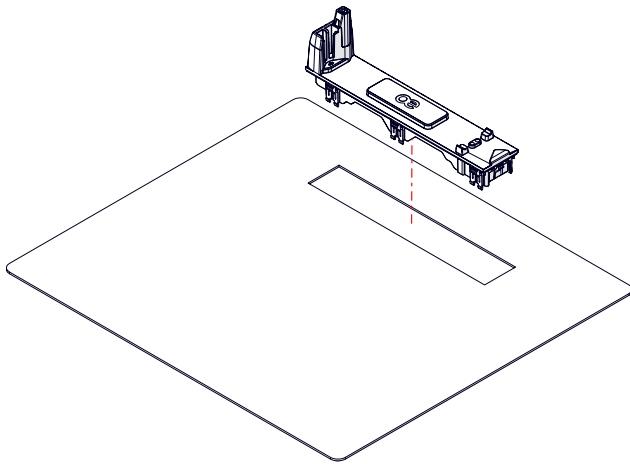


NOTE: M4F Connecting Shoe is used for Appliance Powering

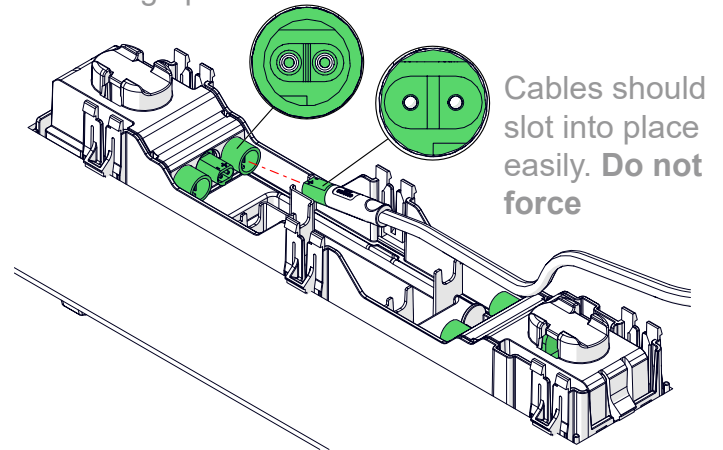
1 Cutout Dimensions **Single Connecting Shoe**



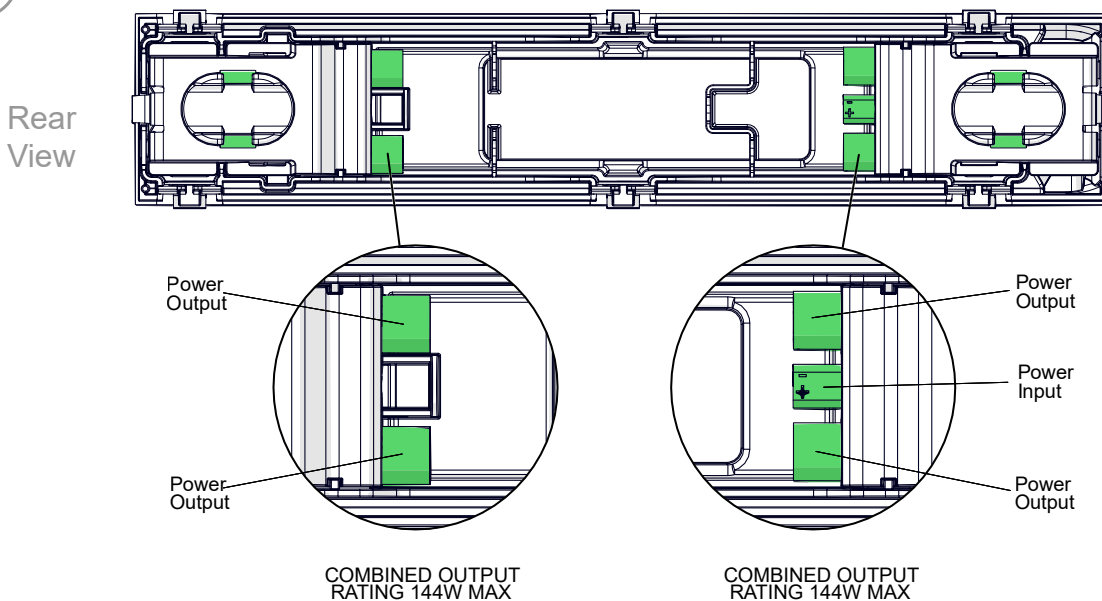
2 Align Connecting Shoe with cutout and snap into place



3 Connect GST08 interconnecting cable to appropriate connector on underside of connecting shoe with writing on the cable facing up

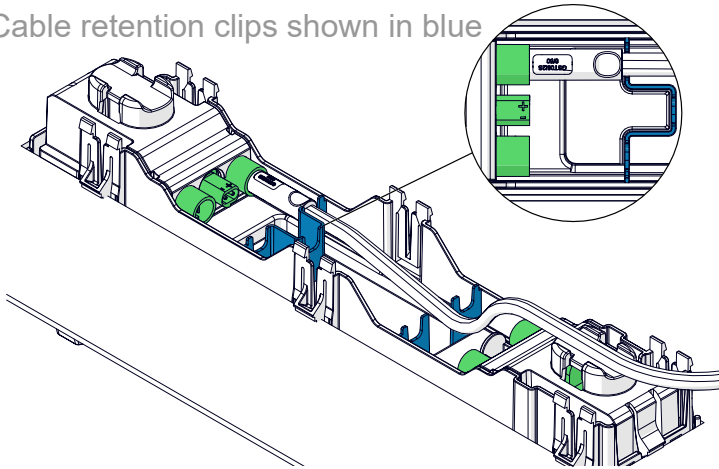


4 Power inputs and outputs



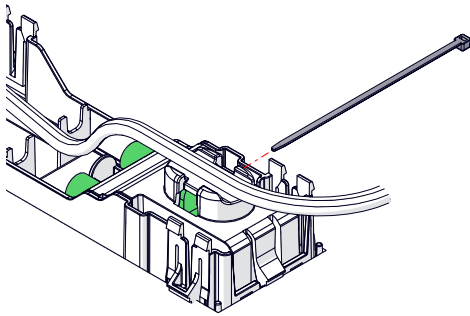
*SIT STAND MECHANISM CAN BE CONNECTED TO EITHER END OF THE QIKDOC, BUT THE SECOND OUTPUT AT THE SAME END OF THE QIKDOC SHOULD NOT THEN BE USED (OTHERWISE BATTERY OVERLOAD AND SHUTDOWN MAY OCCUR)

5 Cable retention clips shown in blue

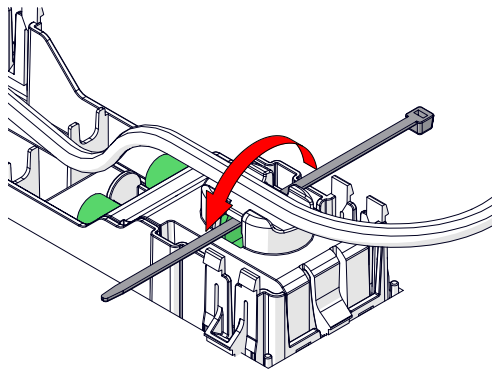


6 Cable tie GST08 cable into place

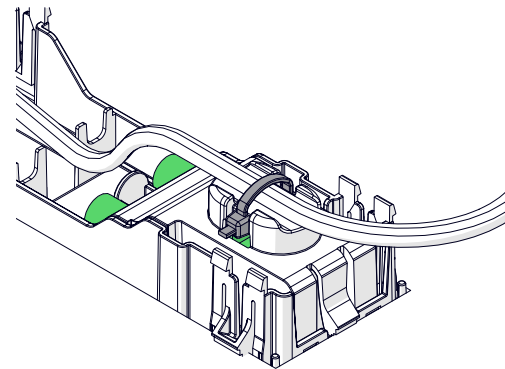
Slide cable tie through slot



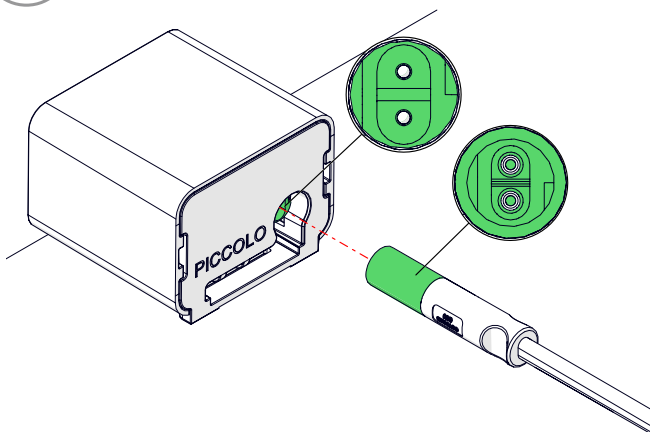
Fold cable tie over cable(s)



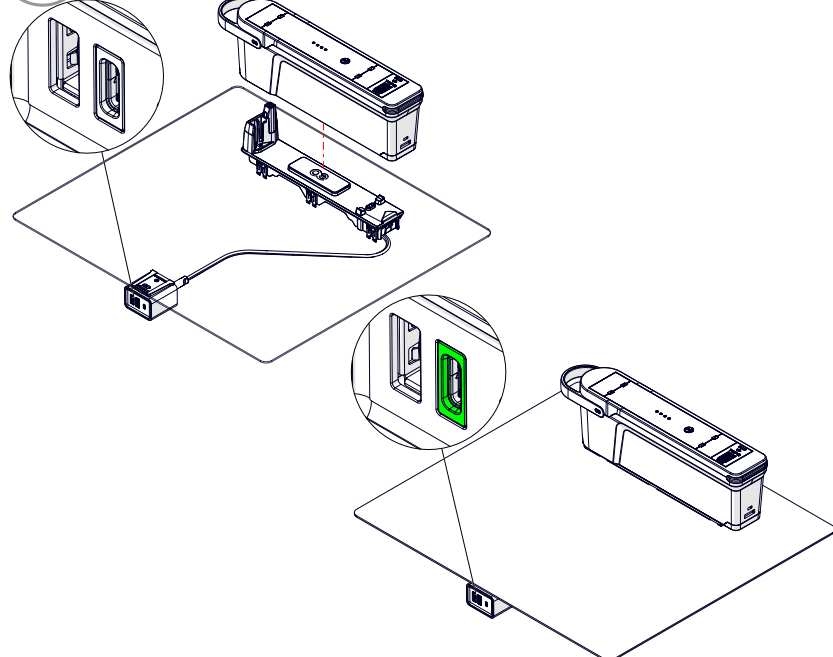
Tighten cable tie & remove excess



7 Connect GST08 cable to auxiliary components*



8 Place QIKPAC battery onto Connecting Shoe



*Other accessories available please see ANIMATE components