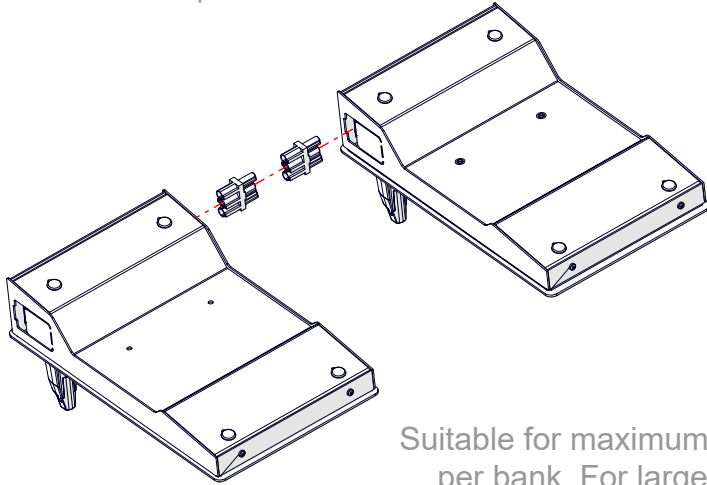
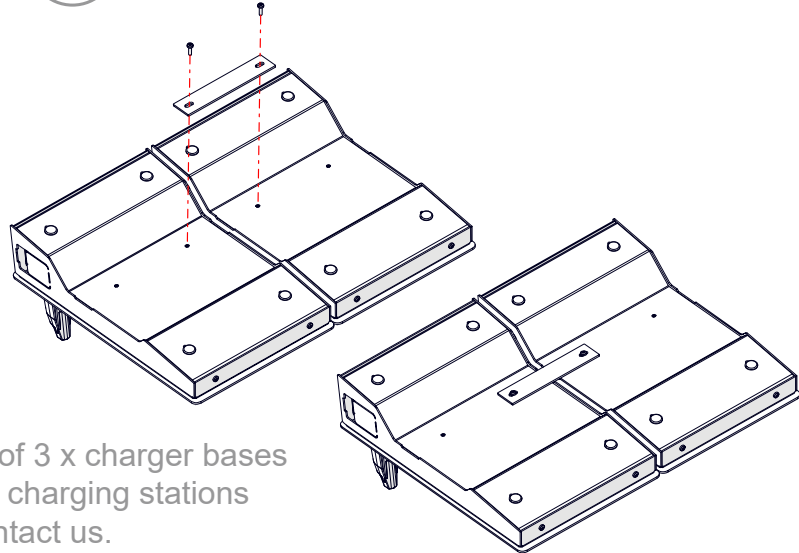


QIKPAC Charger Base installation instructions

- 1 Align GST adaptor blocks with internal GST connectors in QIKPAC charger base and click in place.

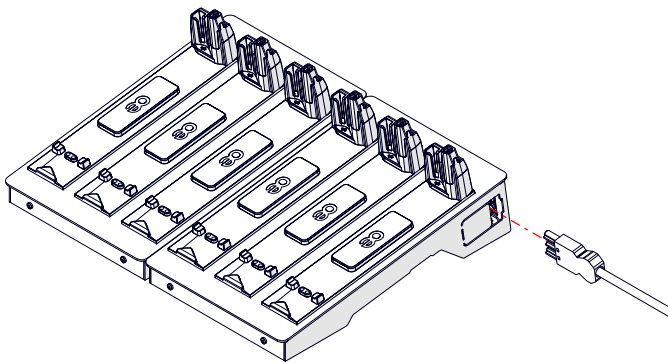


- 2 Align linking plate with both charger bases and secure using screws provided

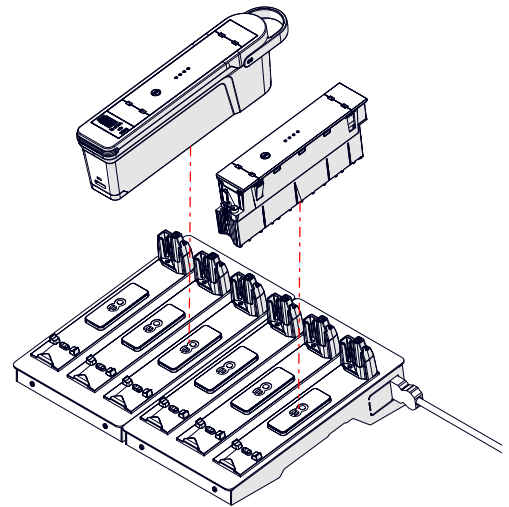


Suitable for maximum of 3 x charger bases per bank. For larger charging stations please contact us.

- 3 Fit starter cable



- 4 Place QIKPAC/QIKPAC CARRY modules on charger base



- 5

