

z e n s

PuK Combi USB-C

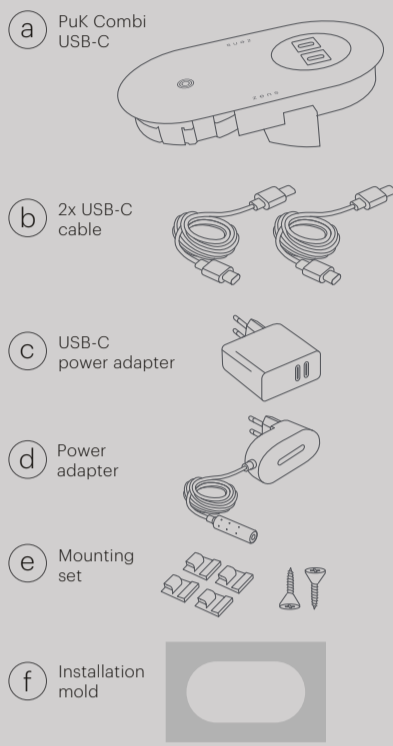
Installation guide

www.makezens.com

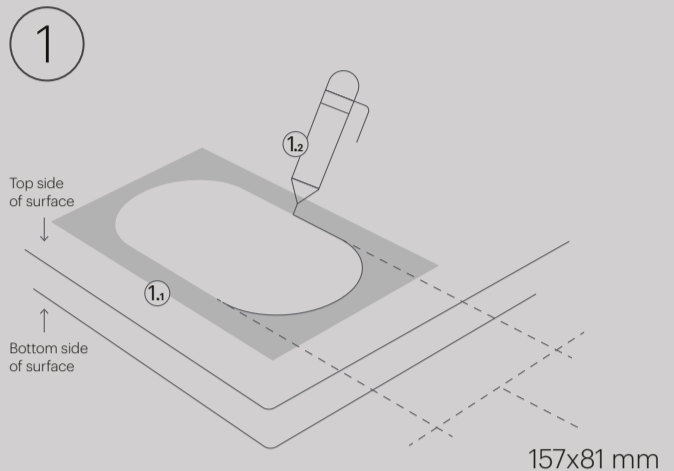
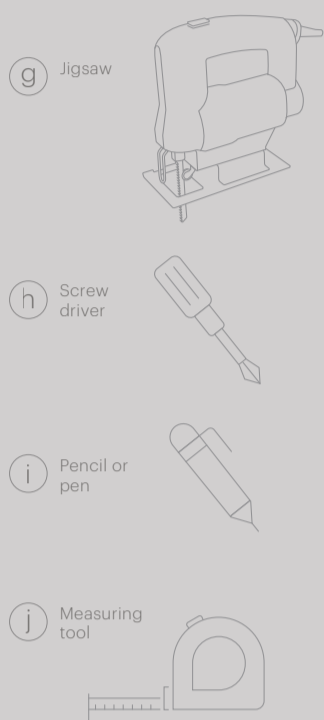


All rights reserved. Zens is a trademark of Zens B.V.
Designed in the Netherlands. Assembled in China.
Zens B.V., High Tech Campus 85, 5656 AG Eindhoven, NL

Included items

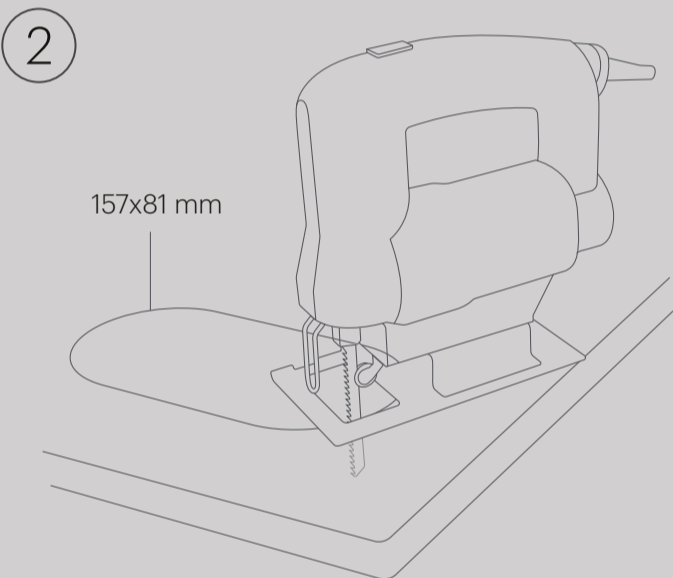


Required tools (not included)

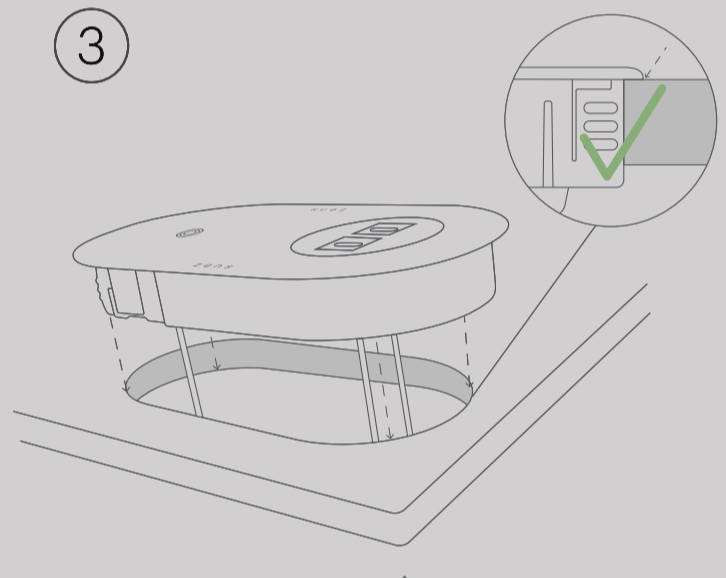


1.1 Position the mold on the top side of the surface.
1.2 Draw the shape to indicate the position of the PuK Combi USB-C.

Empowering Freedom

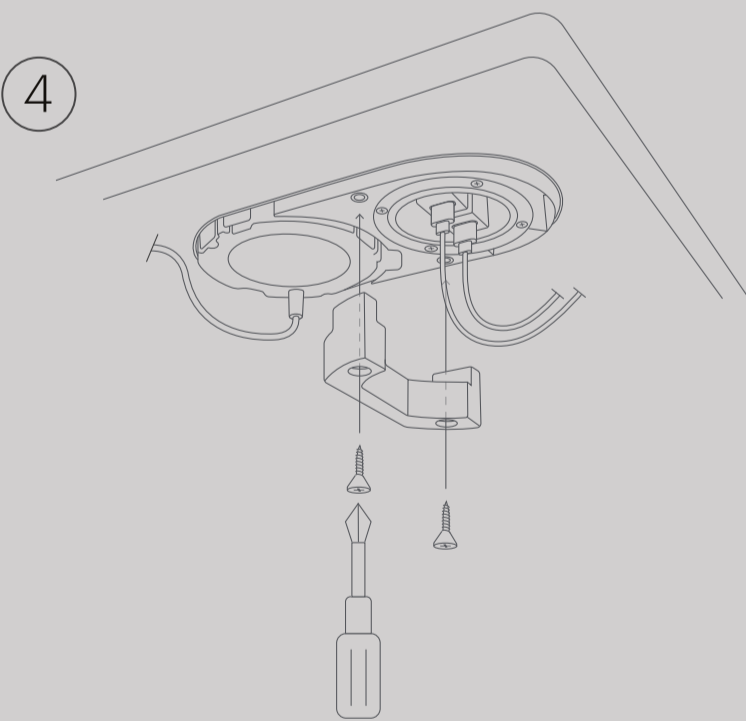


Use the jigsaw and follow the drawn lines to cut out the correct shape.

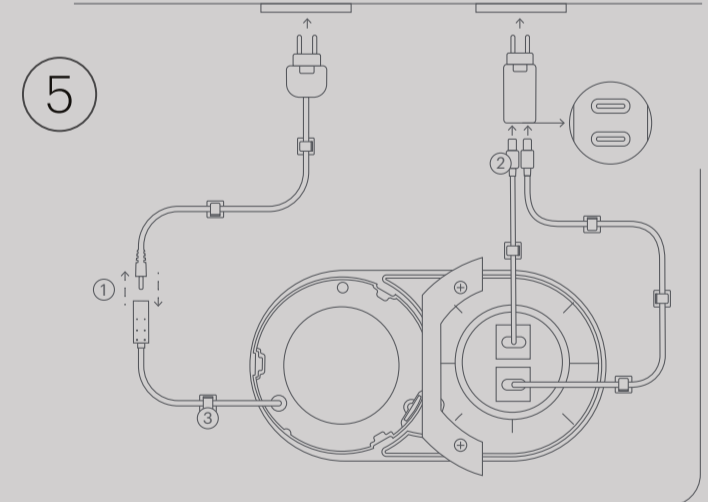


Insert the PuK Combi USB-C in the opening from above.
Important: leave no space between the product and the surface.

Empowering Freedom

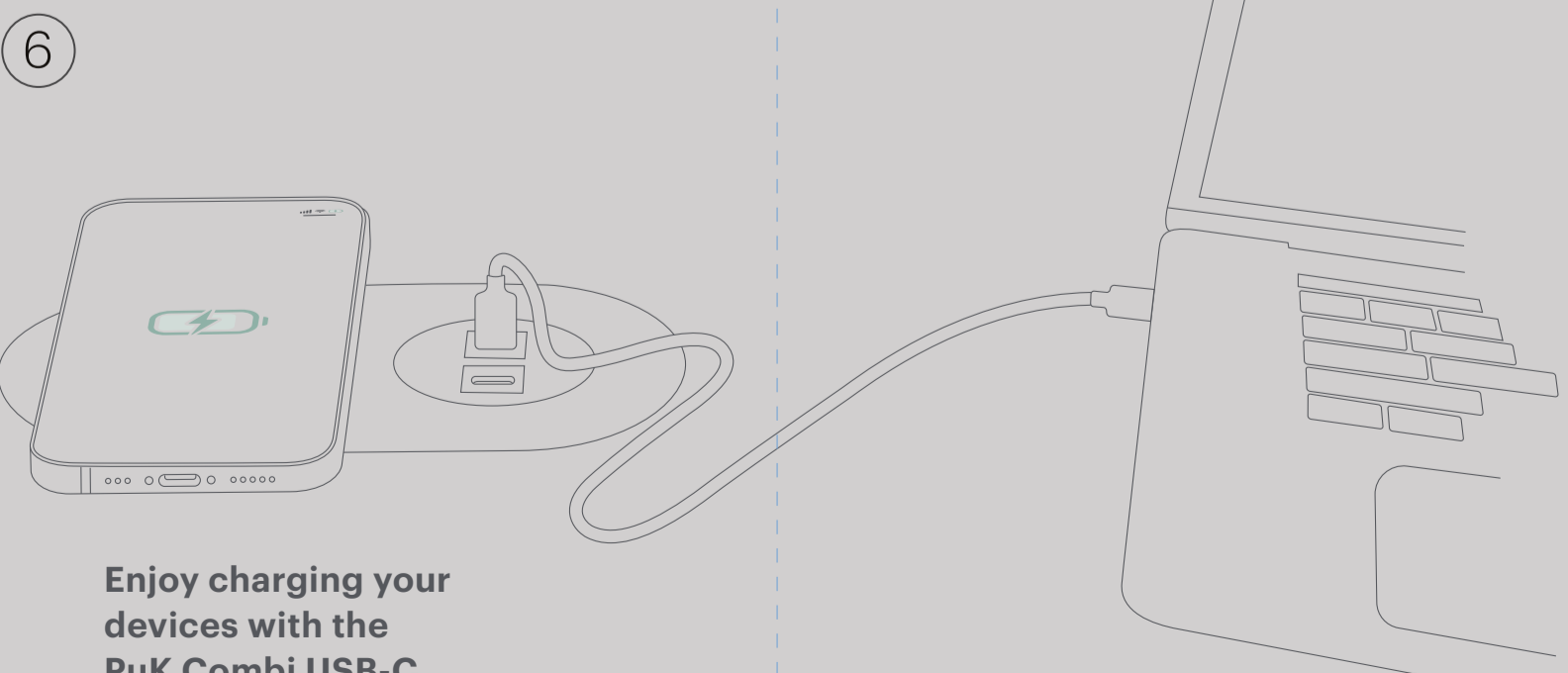


Use the two screws to fasten the bracket and secure the product.



1 Connect the cable to the power adapter and plug it into the nearest power socket.
2 Connect the two USB-C cables to the power adapter and plug it in to the nearest power socket.
3 Use the cable clips to neatly secure the cables on the bottom of the surface.

Empowering Freedom



Enjoy charging your devices with the PuK Combi USB-C.

Empowering Freedom