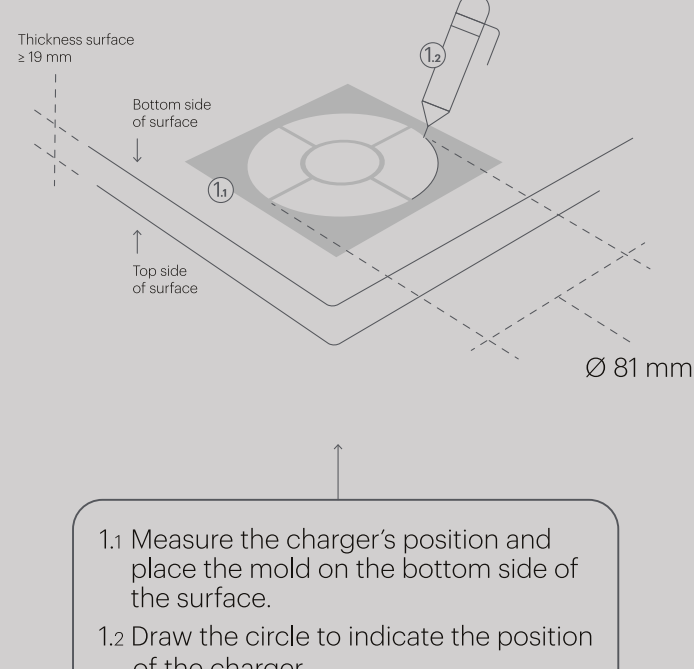


PuK 2
Installation guide

Sub-surface installation

Included items	Required tools (not included)
a PuK 2	e Milling machine
b Power adapter	f Screw driver
c Mounting set	g Pencil or pen
d Installation mold	h Measuring tool

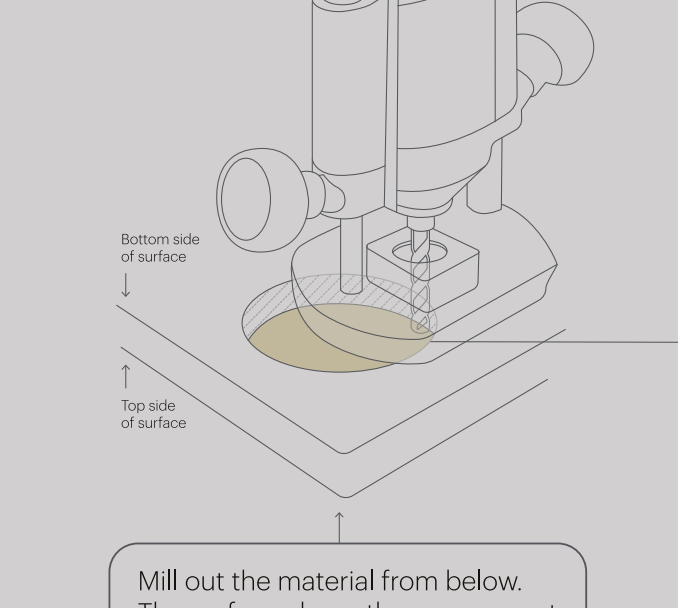


1.1 Measure the charger's position and place the mold on the bottom side of the surface.
1.2 Draw the circle to indicate the position of the charger.

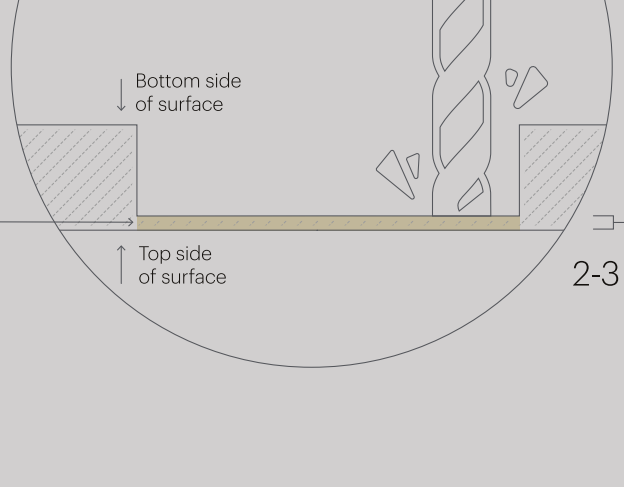
Page 1 | PuK 2 installation guide

Page 2 | PuK 2 installation guide

Empowering Freedom



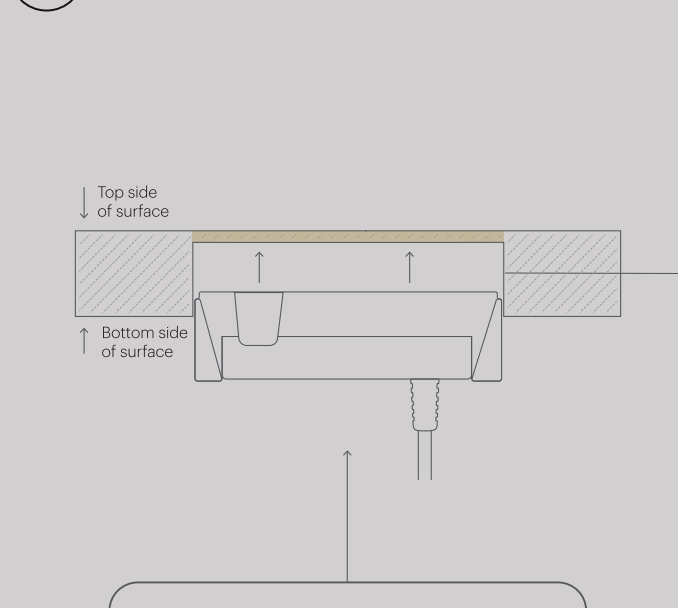
Mill out the material from below. The surface above the recess must be 2-3 mm thick.



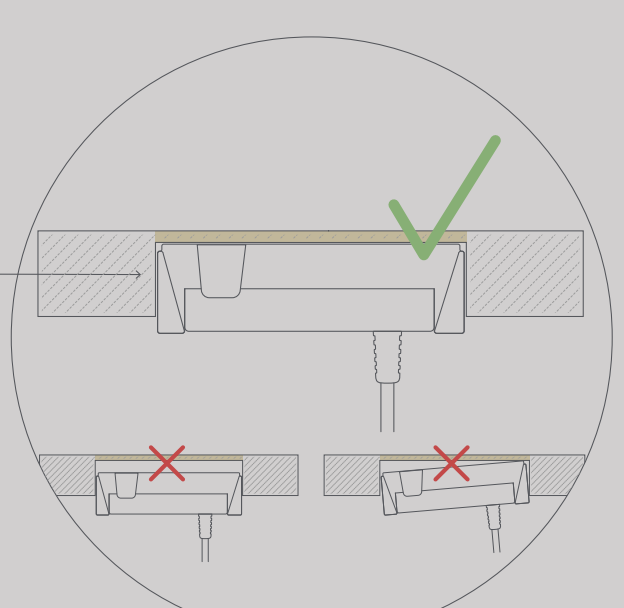
Page 3 | PuK 2 installation guide

Page 4 | PuK 2 installation guide

Empowering Freedom



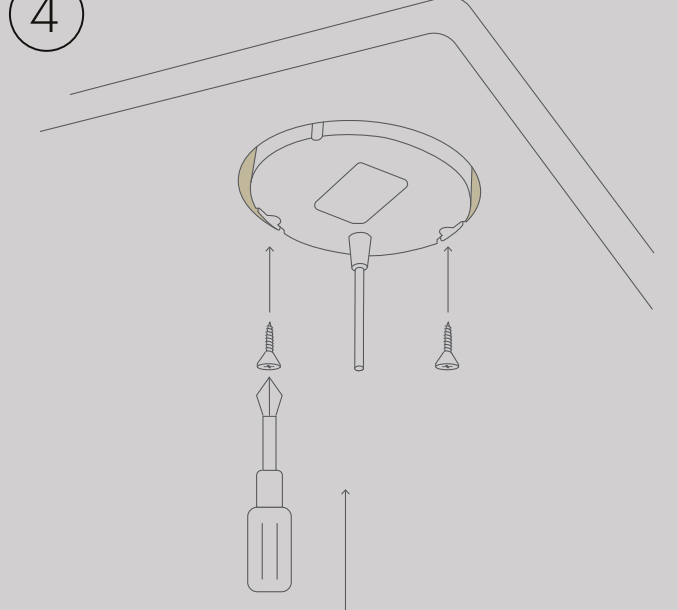
Place the PuK in the recess from below, leaving no space between the PuK and the top surface.



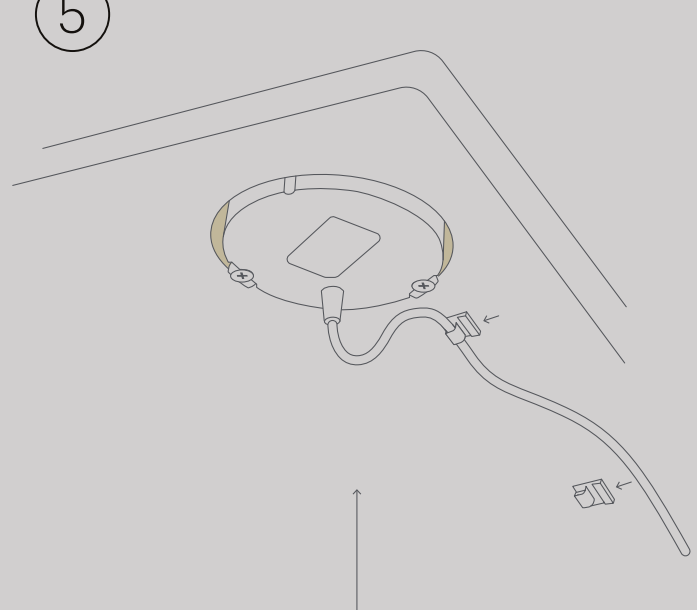
Page 5 | PuK 2 installation guide

Page 6 | PuK 2 installation guide

Empowering Freedom



Use the two screws to fasten the PuK in the recess.



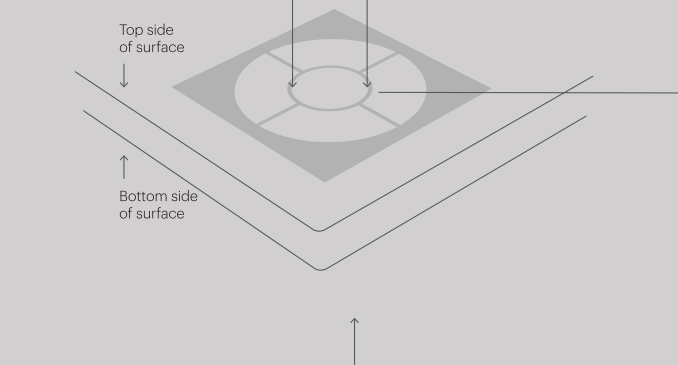
Use the cable clips to secure the cable.

Page 7 | PuK 2 installation guide

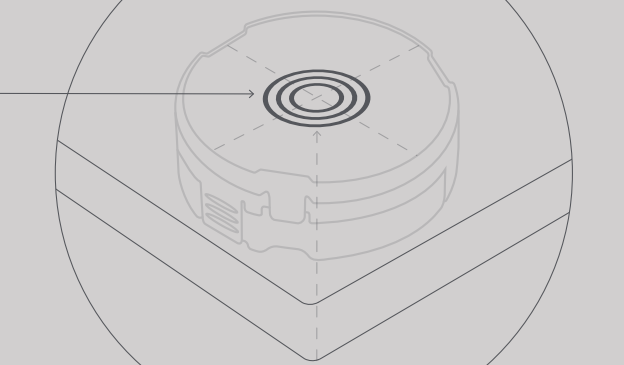
Page 8 | PuK 2 installation guide

Empowering Freedom

Empowering Freedom



6.1 Measure the exact location of the PuK and align it with the mold on the top surface.
6.2 Place the sticker exactly in the middle circle of the mold.



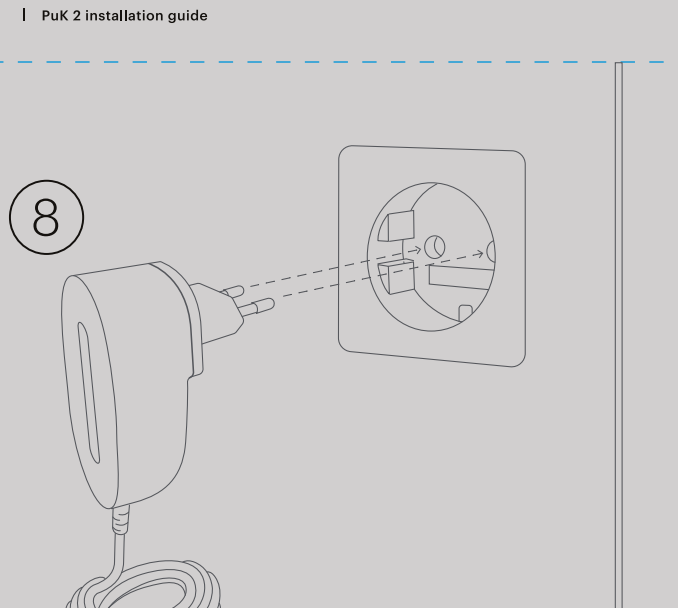
Important: the sticker must be placed exactly in the middle of the PuK. Inaccurate placement of the sticker could affect the charging process.

Page 9 | PuK 2 installation guide

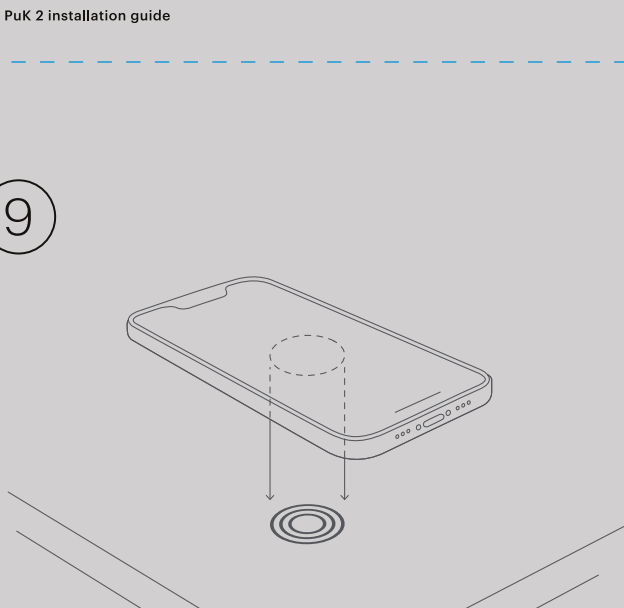
Page 10 | PuK 2 installation guide

Empowering Freedom

Empowering Freedom



Connect the charger cable to the power adapter and plug the adapter into the nearest power socket.



To start charging, place the Qi device centrally on the charging spot.

Page 11 | PuK 2 installation guide

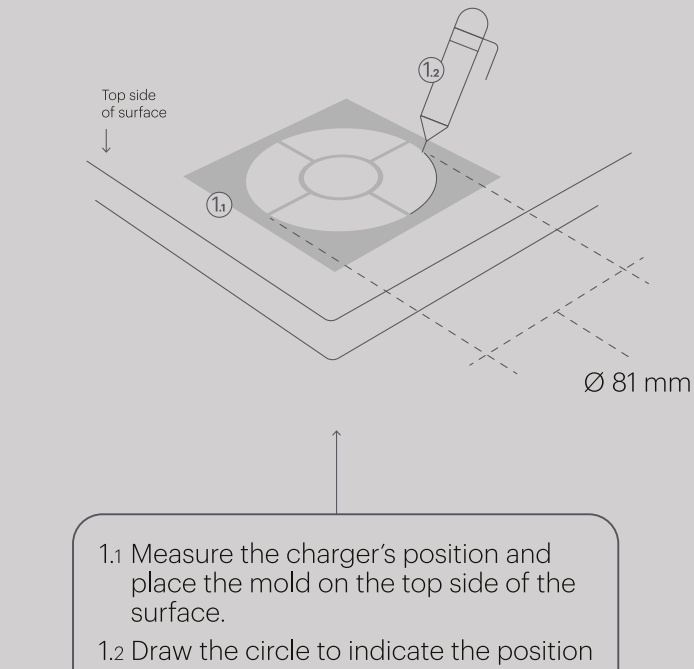
Page 12 | PuK 2 installation guide

Empowering Freedom

Empowering Freedom

Surface installation

Included items	Required tools (not included)
a PuK 2	f Jigsaw
b Top plate	g Screw driver
c Power adapter	h Pencil or pen
d Mounting set	i Measuring tool
e Installation mold	

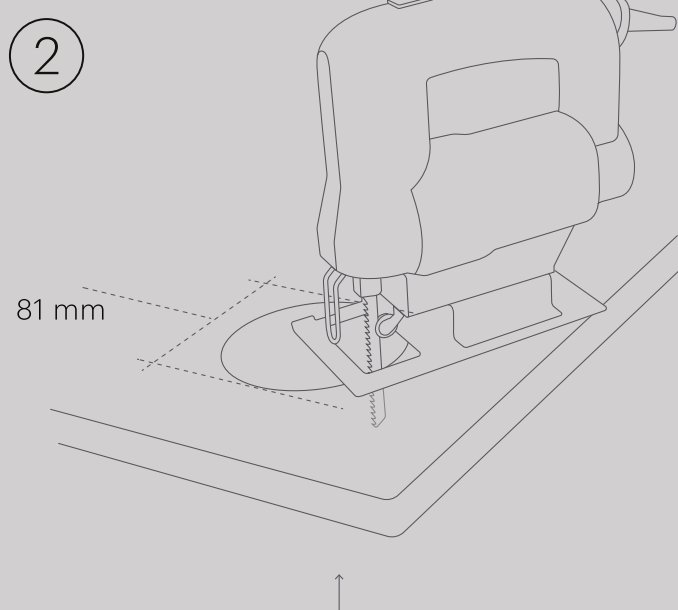


1.1 Measure the charger's position and place the mold on the top side of the surface.
1.2 Draw the circle to indicate the position of the charger.

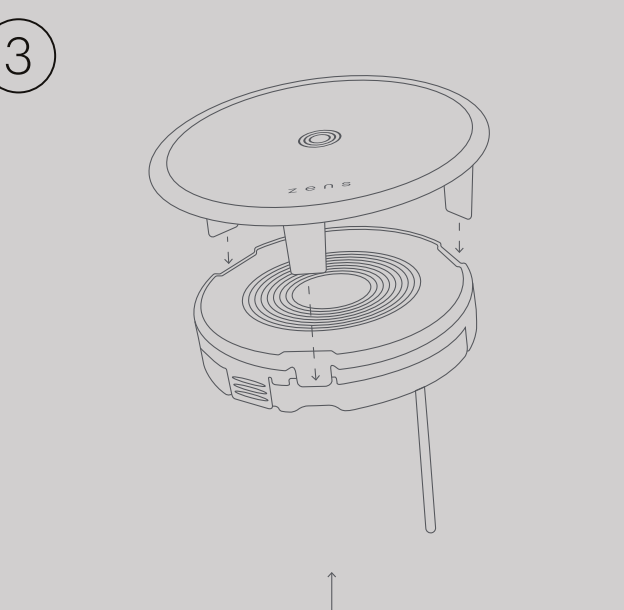
Page 13 | PuK 2 installation guide

Page 14 | PuK 2 installation guide

Empowering Freedom



Use the Jigsaw* and follow the drawn lines to cut out the hole.
* You can also use an Ø81 mm hole drill.



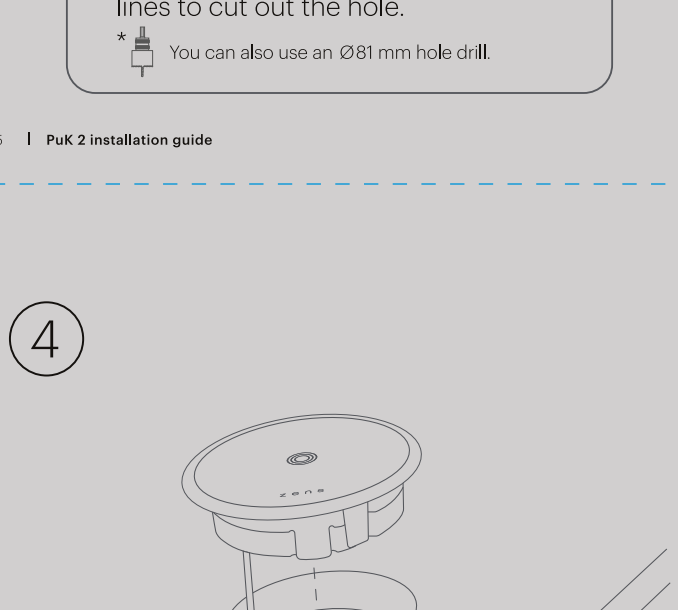
Place the top plate on the PuK and gently press down until it snaps into place.

Page 15 | PuK 2 installation guide

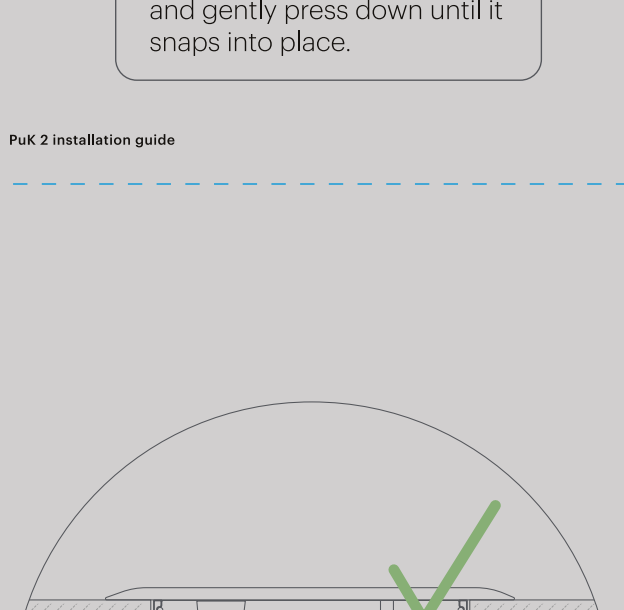
Page 16 | PuK 2 installation guide

Empowering Freedom

Empowering Freedom



Insert the PuK with attached top plate* in the opening from above.
*Optional: remove the protective film from the self-adhesive edge on the bottom of the top plate.

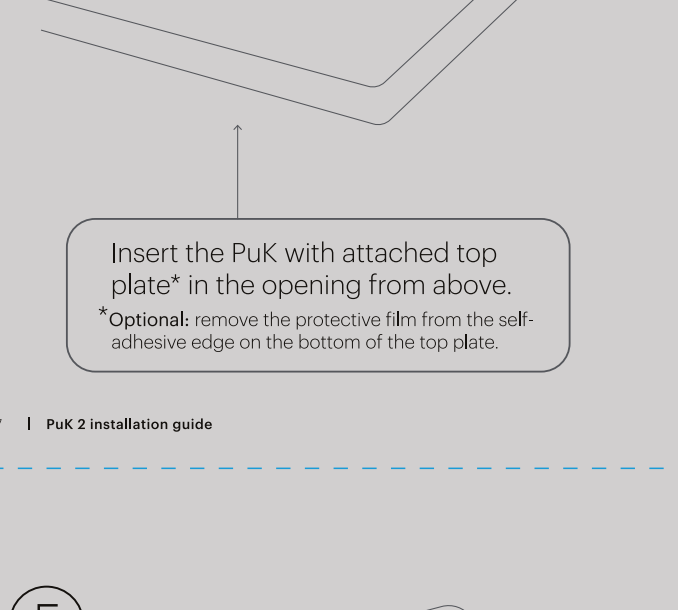


Page 17 | PuK 2 installation guide

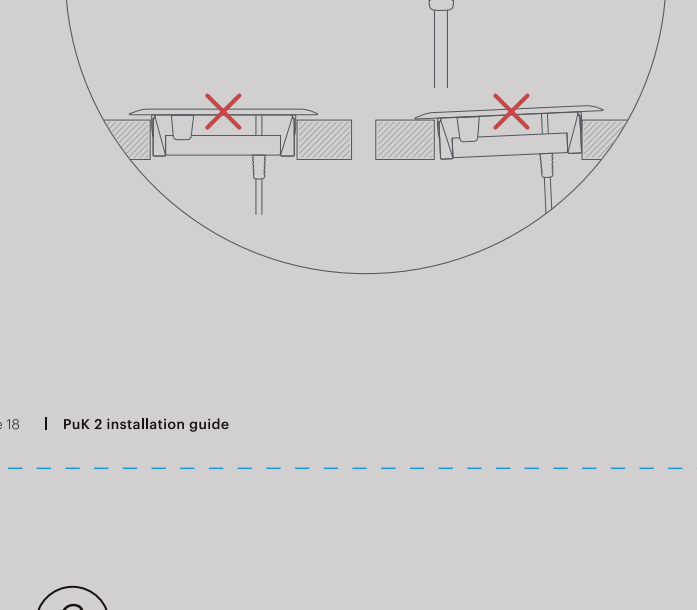
Page 18 | PuK 2 installation guide

Empowering Freedom

Empowering Freedom



Use the two screws to fasten the PuK in the opening.



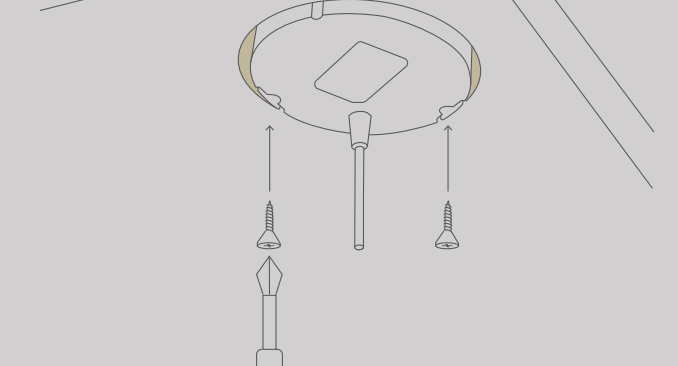
Use the cable clips to secure the cable.

Page 19 | PuK 2 installation guide

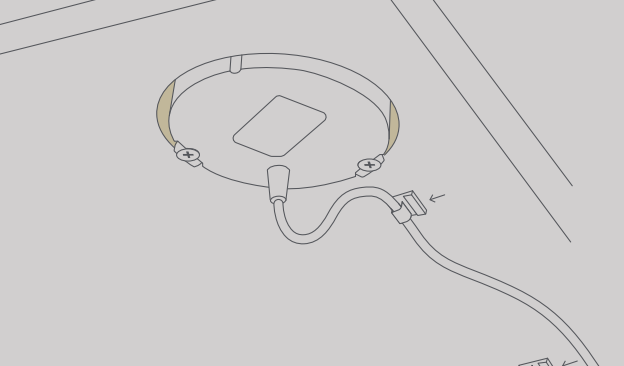
Page 20 | PuK 2 installation guide

Empowering Freedom

Empowering Freedom



Connect the charger cable to the power adapter and plug the adapter into the nearest power socket.



To start charging, place the Qi device centrally on the charging spot.

Page 21 | PuK 2 installation guide

Page 22 | PuK 2 installation guide

Empowering Freedom

Empowering Freedom