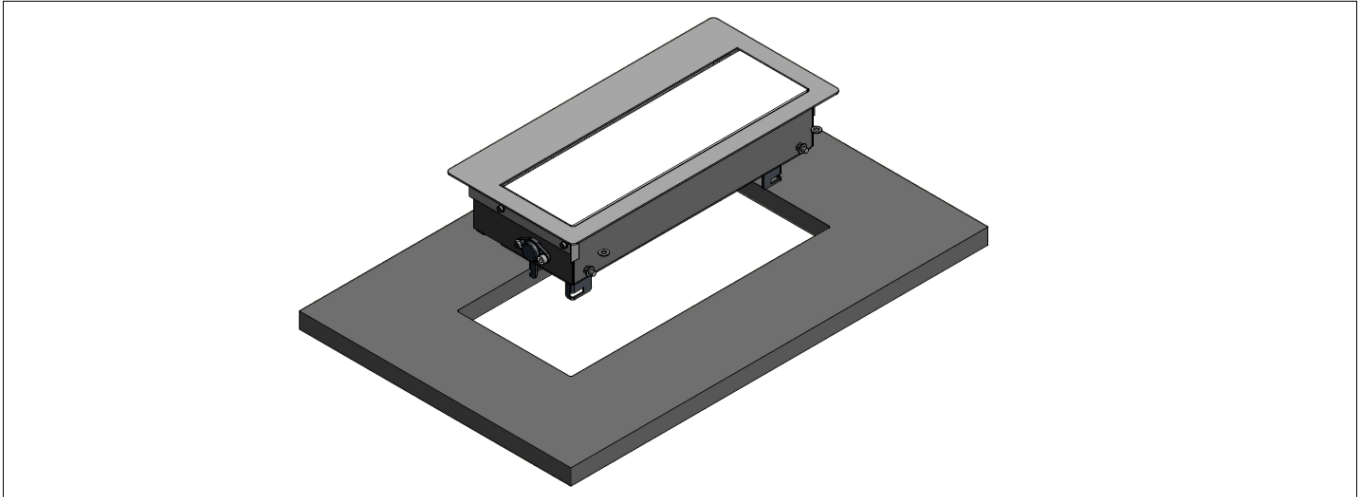


# TOP FRAME

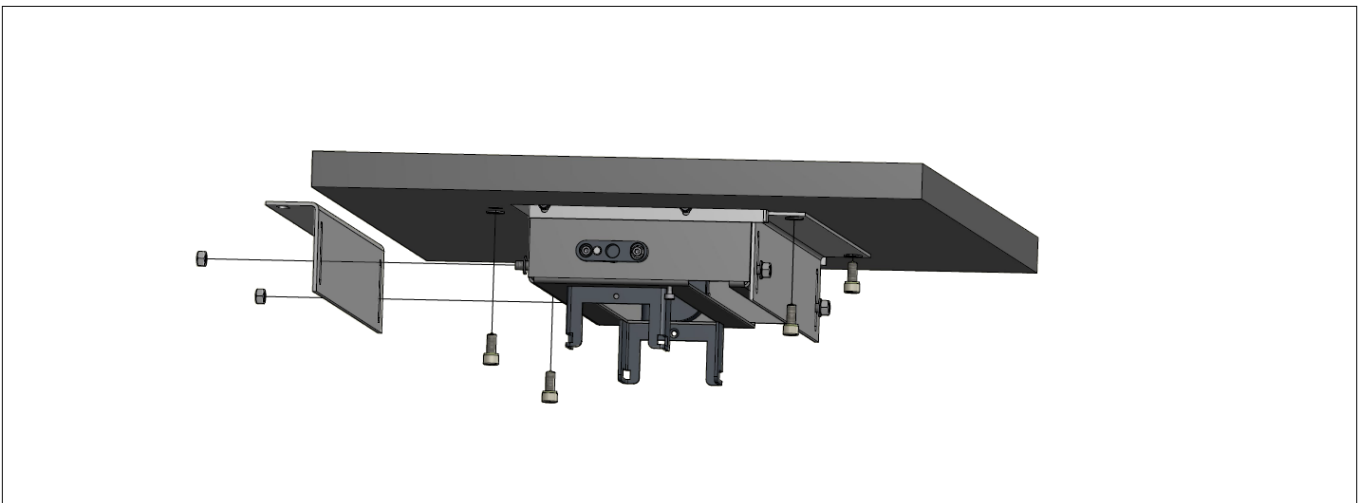
DE Montageanleitung  
EN Mounting instructions  
FR Instructions de montage

ES Instrucciones de montaje  
RO Instrucțiuni de montare  
IT Istruzioni per l'installazione

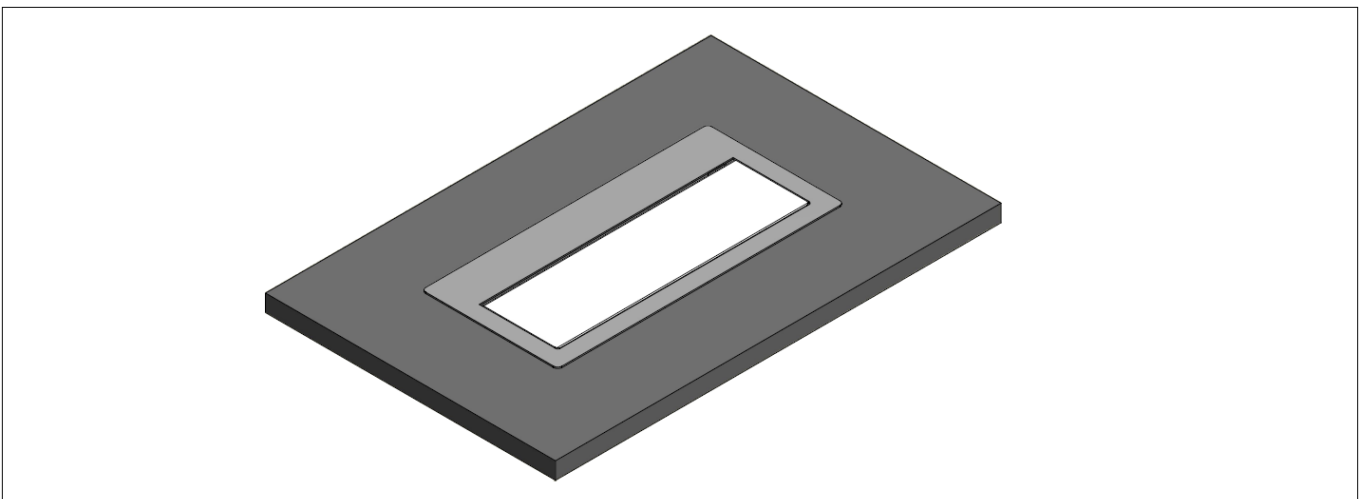
1.

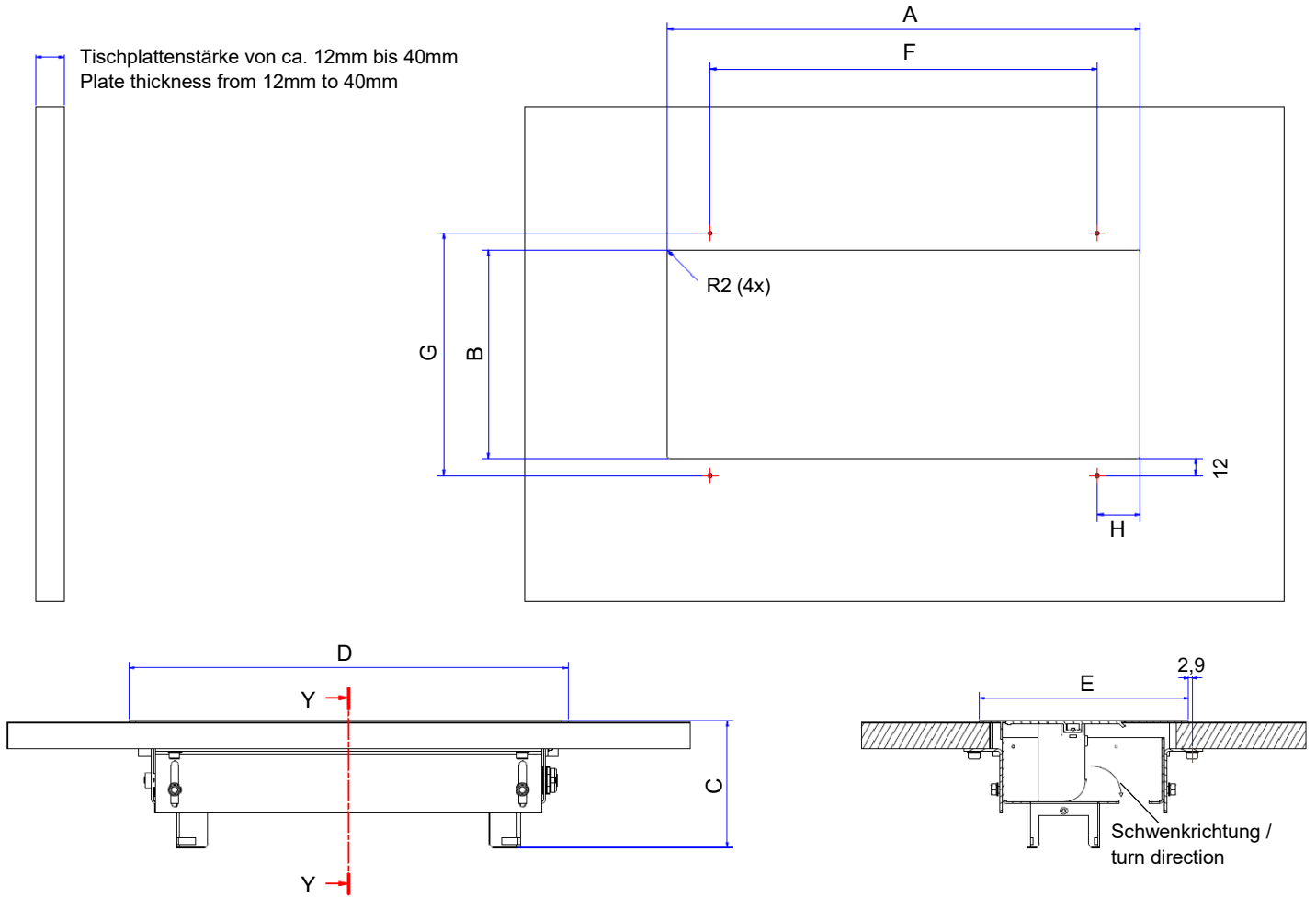


2.



3.





## Tisch-Ausschnittmaße / Table cut-out dimensions

Asymmetrisch / asymmetrical	A	B	C	D	E	F	G	H
M	330mm	145mm	ca. 110,00mm	340,5mm	162mm	270mm	169mm	30mm
XXL	512,5mm	145mm	ca. 110,00mm	523mm	162mm	270mm	169mm	121,25mm
Symmetrisch / symmetrical								
M	330mm	145mm	ca. 110,00mm	400,5mm	192mm	270mm	169mm	30mm
XXL	512,5mm	145mm	ca. 110,00mm	583mm	192mm	270mm	169mm	121,25mm

Achtung: Toleranz für alle A-/B-Maße = + 0,50mm  
Attention: Tolerance for all A-/B-dimensions = + 0,50mm

Ausschnitt für flächenbündige  
Version dem Produkt anpassen  
Eckenradius 5mm

Adapt table section to product for  
flush-mounted version  
radius 5mm