

TOP FRAME

DE Montageanleitung

ES Instrucciones de montaje

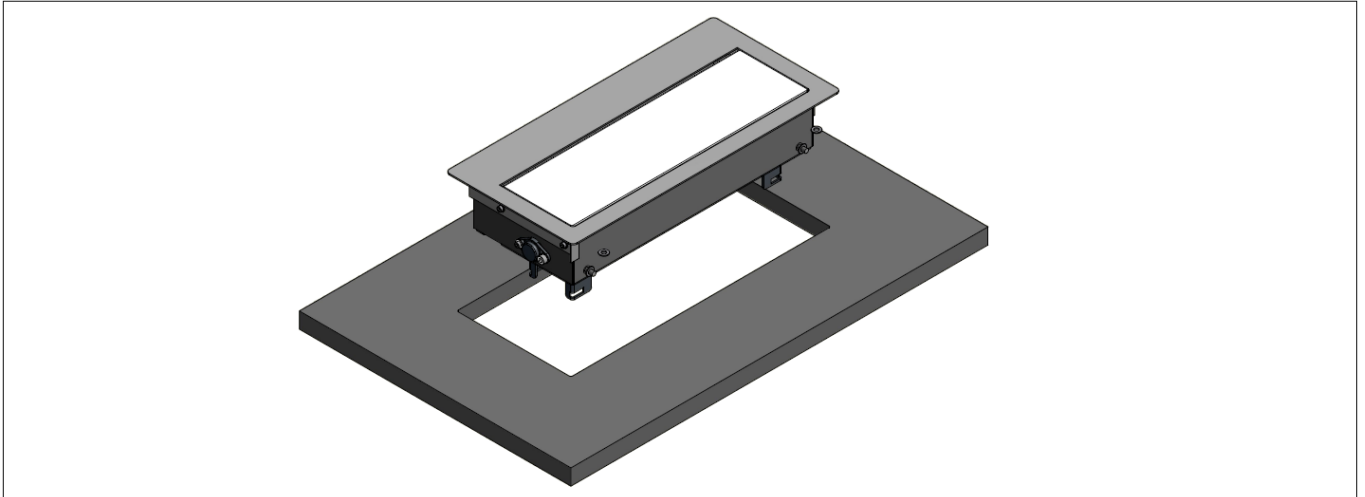
EN Mounting instructions

RO Instrucțiuni de montare

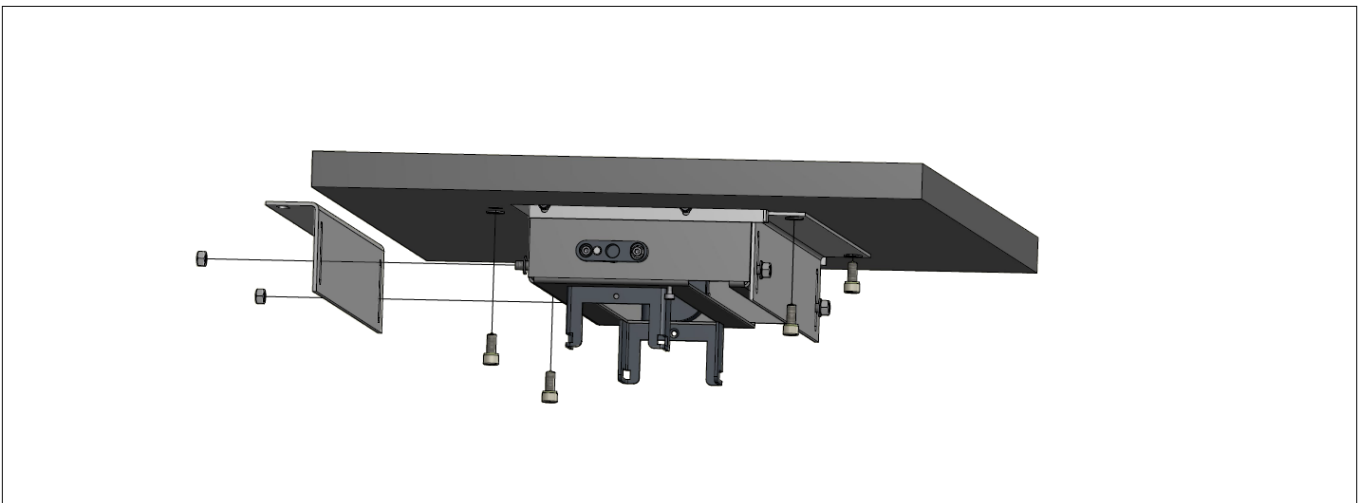
FR Instructions de montage

IT Istruzioni per l'installazione

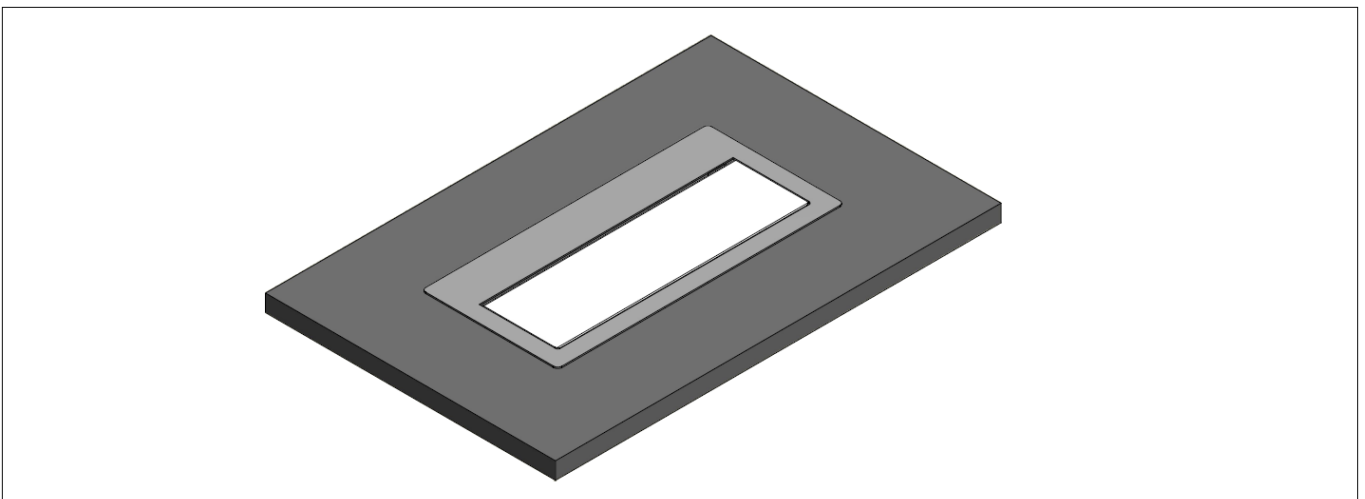
1.

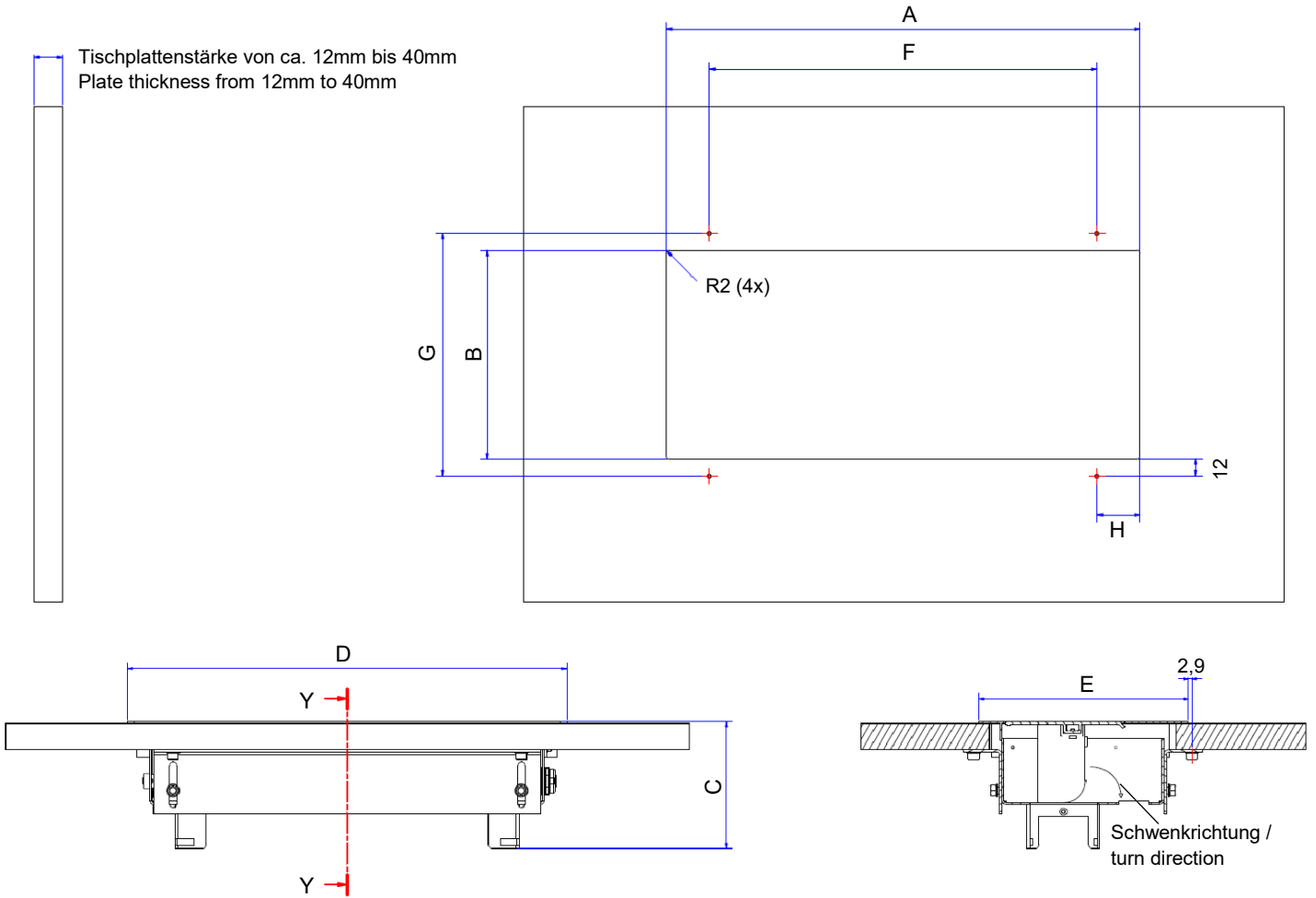


2.



3.





Tisch-Ausschnittmaße / Table cut-out dimensions

| Asymmetrisch / asymmetrical | A | B | C | D | E | F | G | H |
|-----------------------------|---------|-------|--------------|---------|-------|-------|-------|----------|
| M | 330mm | 145mm | ca. 110,00mm | 340,5mm | 162mm | 270mm | 169mm | 30mm |
| XXL | 512,5mm | 145mm | ca. 110,00mm | 523mm | 162mm | 270mm | 169mm | 121,25mm |
| Symmetrisch / symmetrical | | | | | | | | |
| M | 330mm | 145mm | ca. 110,00mm | 400,5mm | 192mm | 270mm | 169mm | 30mm |
| XXL | 512,5mm | 145mm | ca. 110,00mm | 583mm | 192mm | 270mm | 169mm | 121,25mm |

Achtung: Toleranz für alle A-/B-Maße = + 0,50mm
Attention: Tolerance for all A-/B-dimensions = + 0,50mm

Ausschnitt für flächenbündige
Version dem Produkt anpassen
Eckenradius 5mm

Adapt table section to product for
flush-mounted version
radius 5mm